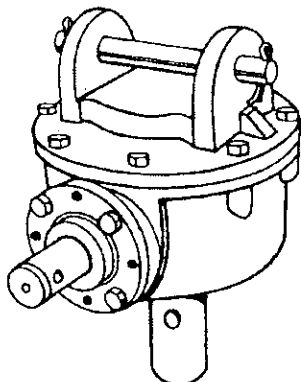
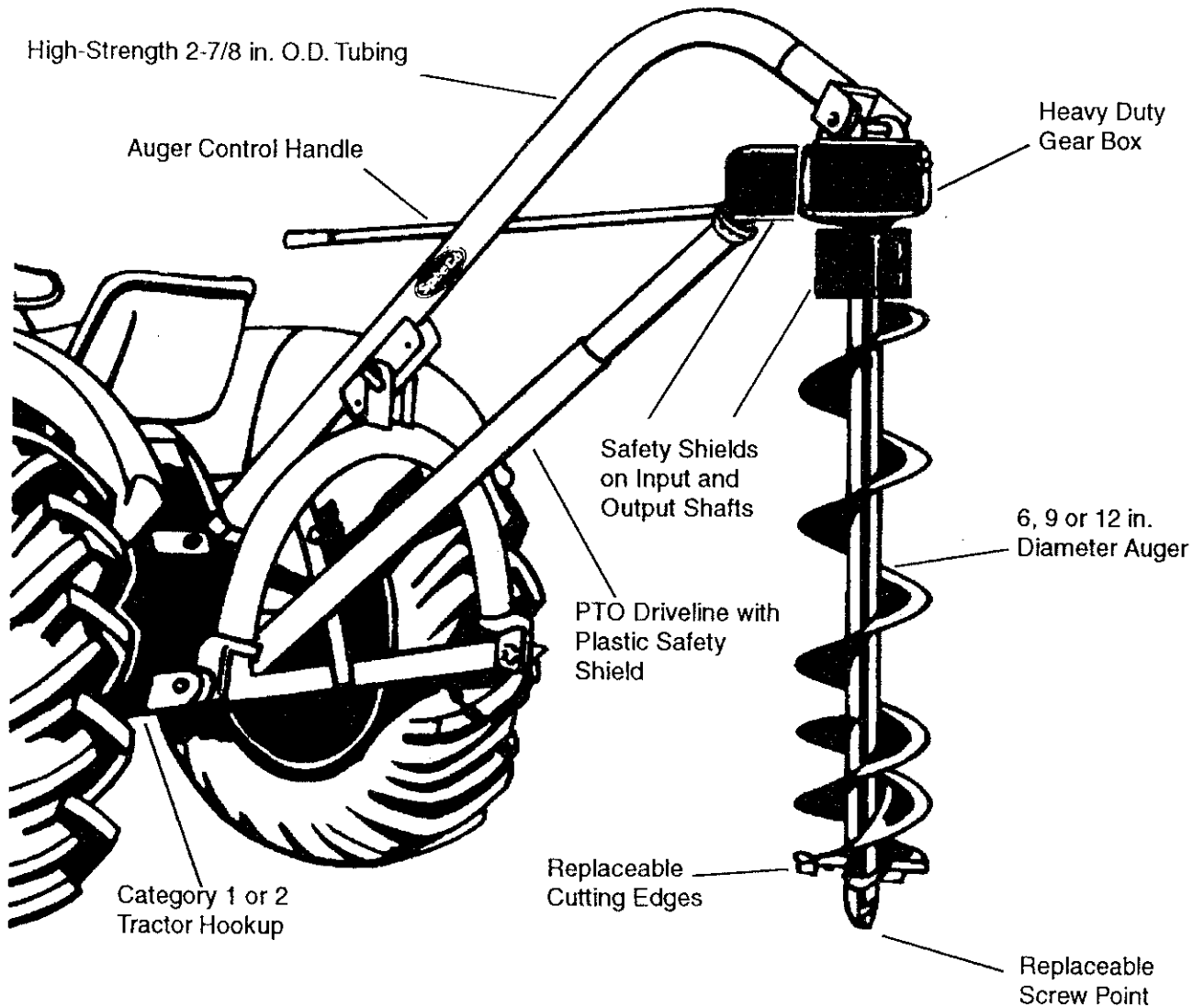




MODEL 70

POST HOLE DIGGER

For Category 1 or 2 Tractors



Rugged Gear Box with...

- Special Alloy Pinion Gears
- Tapered Roller Bearings on Both Sides of Each Gear
- 2 in. Diameter Output Shaft

Model No. PD24417

SPECIFICATIONS

Tractor Category	Category 1 or 2
Gear Box	Special alloy pinion gears and tapered roller bearings on both sides of each gear
Gears	Heat-treated to Rockwell C30-40 to a depth of .030-.040
Driveline	Equipped with quick-tach yoke to fit standard 6-spline PTO Completely shielded
Cutting Edges	Beveled, high-carbon steel, replaceable
Augers	6 in., 9 in. and 12 in. sizes available that all dig to full depth of 45 in.; anti-auger plates on auger to prevent it from screwing into soft soils; heavy duty augers available as an option
Boom	2-7/8 in. O.D. high-strength tubing
A-Frame	2-7/8 in. O.D. high-strength tubing
Safety Shields	On driveline, gear box "U" joint and gear box output shaft
Shear Pin	On input shaft to protect driveline, auger and gears

ORDERING INFORMATION

PART NUMBER	DESCRIPTION	WEIGHT
PD24417	Model 70 post hole digger less auger	179.0
PD24515A	6 in. auger with screw point and cutting edges	23.0
PD24525A	9 in. auger with screw point and cutting edges	29.0
PD24529	9 in. heavy duty auger with screw point and cutting edges	43.0
PD24535A	12 in. auger with screw point and cutting edges	49.0
PD24536	12 in. heavy duty auger with screw point and cutting edges	57.0
PD24592	Screw point with 1-1/4" NC threads	2.8
PD24567	6 in. cutting edge set	0.3
PD24577	9 in. outer cutting edge	0.5
PD24578	9 in. inner cutting edge	0.5
PD24587	12 in. outer cutting edge	0.8
PD24588	12 in. inner cutting edge	0.8